

Date of Admission: _____

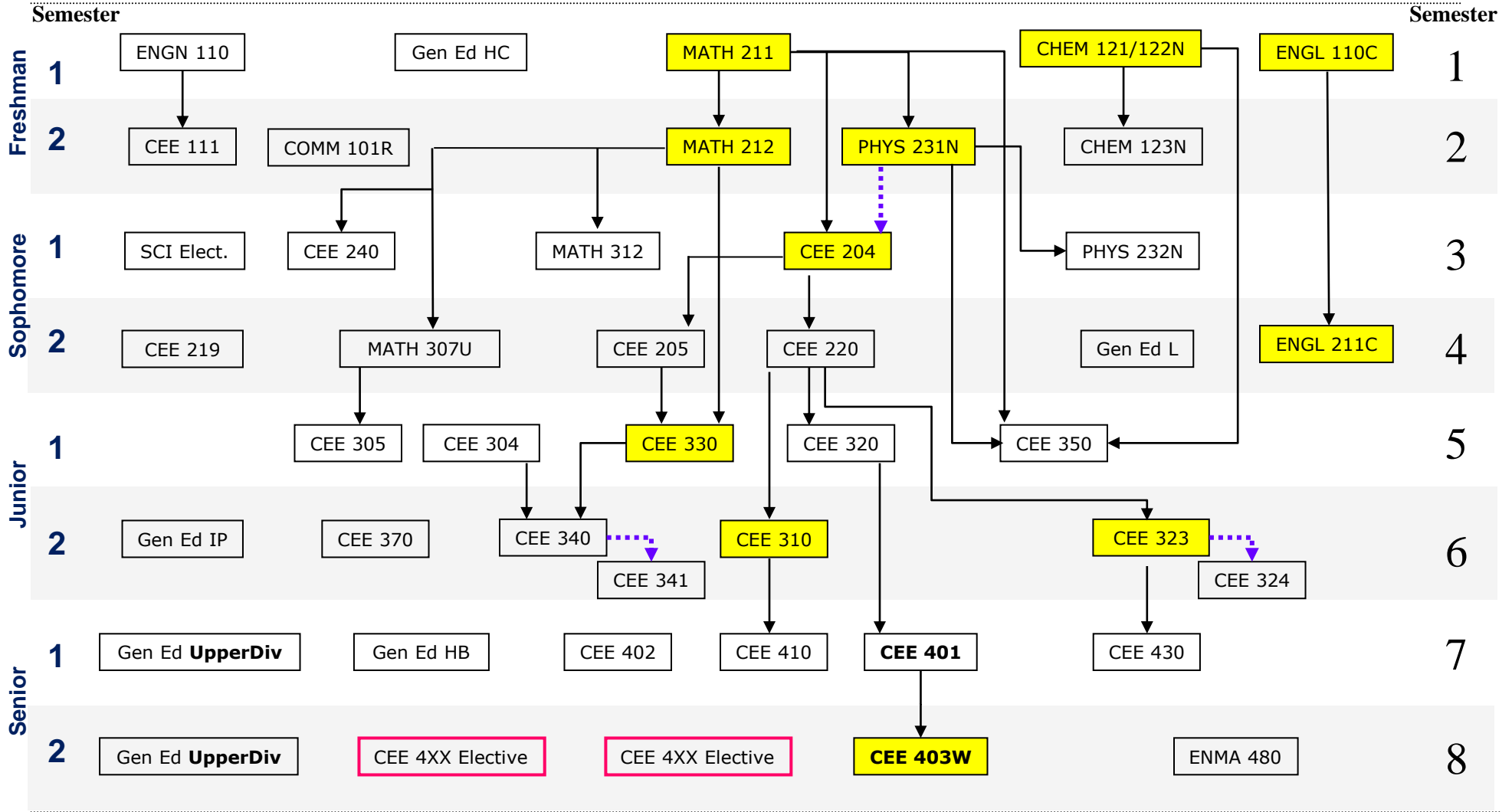
UIN: _____ Name: _____

Freshman: _____ ; Transfer: _____ ; 2nd Degree: _____

FRESHMAN				Transfer Credit	
	SEM./YR.	Grade	Course#	C/U	
CHEM 121N	Foundations of Chemistry I	(3)			
CHEM 122N	Foundations of Chemistry I Lab	(1)			
ENGL 110C	English Composition	(3)			
ENGN 110	Freshman Engineering & Tech. I	(2)			
Gen. Ed.	Human Creativity	(3)			
MATH 211	Calculus I	(4)			
CEE 111	Information Literacy & Research	(2)			
CHEM 123N	Prin. of Chemistry	(3)			
COMM 101R	Public Speaking	(3)			
MATH 212	Calculus II	(4)			
PHYS 231N	University Physics	(4)			
TOTAL (32)					
SOPHOMORE				Transfer Credit	
	SEM./YR.	Grade	Course#	C/U	
CEE 204	Statics	(3)			
CEE 240	Geographic Info Sys in C & E Engr.	(3)			
MATH 312	Calculus III	(4)			
PHYS 232N	University Physics	(4)			
Science Elec.	BIOL 110N/111N or OEAS 111N	(4)			
CEE 205	Engineering Dynamics	(3)			
CEE 219	Surveying for Engineers	(1)			
CEE 220	Mechanics of Deformable Bodies	(3)			
ENGL 211C	English Composition	(3)			
Gen. Ed.	Literature	(3)			
MATH 307	Ordinary Differential Equations	(3)			
TOTAL (34)					
Foreign Language:		(6 Cr. Hrs/9 Cr. Hrs@HS)	A.S. Degree VACC: (Yes No)		
UpperDiv GenEd: (Minor Option D Waived by 2nd degree)					
BS/Master: (Yes No), If Yes, Master in (Civil Env.)					
F.E. Exam (Exam Date and Result):			Grad. Date: May/Aug/Dec 20 ____		

JUNIOR				Transfer Credit	
	SEM./YR.	Grade	Course#	C/U	
CEE 304	Probability, Statistics, and Risk in CE	(3)			
CEE 305	Civil and Environmental Computations	(4)			
CEE 320	Civil Engineering Materials	(3)			
CEE 330	Hydromechanics	(3)			
CEE 350	Environmental Pollution & Control	(3)			
CEE 310	Structures I	(3)			
CEE 323/324	Soil Mechanics & Lab	(3) (1)			
CEE 340/341	Hydraulics & Water Resources & Lab	(3) (1)			
CEE 370	Transportation Fundamentals	(3)			
Gen. Ed.	Interpreting the Past	(3)			
TOTAL (33)					
SENIOR				Transfer Credit	
	SEM./YR.	Grade	Course#	C/U	
CEE 401	Civil Engineering Design Project I	(3)			
CEE 402	Professional Practice of Engineering	(1)			
CEE 410	Concrete Design	(3)			
CEE 430	Foundation Engineering	(3)			
Gen. Ed.	Human Behavior	(3)			
Gen. Ed.	Upper Level Requirement 1	(3)			
CEE 403W	Civil Engineering Design Project II	(3)			
CEE 4xx	Civil Engr. Technical Elective	(3)			
CEE 4xx	Civil Engr. Technical Elective	(3)			
ENMA 480	Ethics & Philosophy in Engr. Applications	(3)			
Gen. Ed.	Upper Level Requirement 2	(3)			
TOTAL (31)					
TOTAL PROGRAM HOURS		130			
Courses require Grade C or better to Pass				Certified Date:	
				Major GPA:	
				Overall GPA:	

BS CIVIL ENGINEERING COURSE PRE-REQUISITE CHAIN



There are additional pre-requisites such as permission of the professor and Junior or Senior standing. Also CEE 403W is for graduating seniors only. MATH 211 and ENGL 110C require placement tests. MATH 102M is co-requisite for CHEM 121-122N and is pre-requisite for CHEM 123N and ENGN 150.

Senior Electives: CEE 410 is pre-requisite for 411; 310 is pre-requisite for 412, 415, and 416; 323 is pre-requisite for 430 and 431; 340 is pre-requisite for 440, 446, and 447, and is co-requisite for 450; 330 is pre-requisite for 451 and 482; 350 is pre-requisite for 451 and 452; 401 is pre-requisite for 403W.

For more information on courses and curriculum, please visit CEE Departmental website at <http://odu.edu/cee>